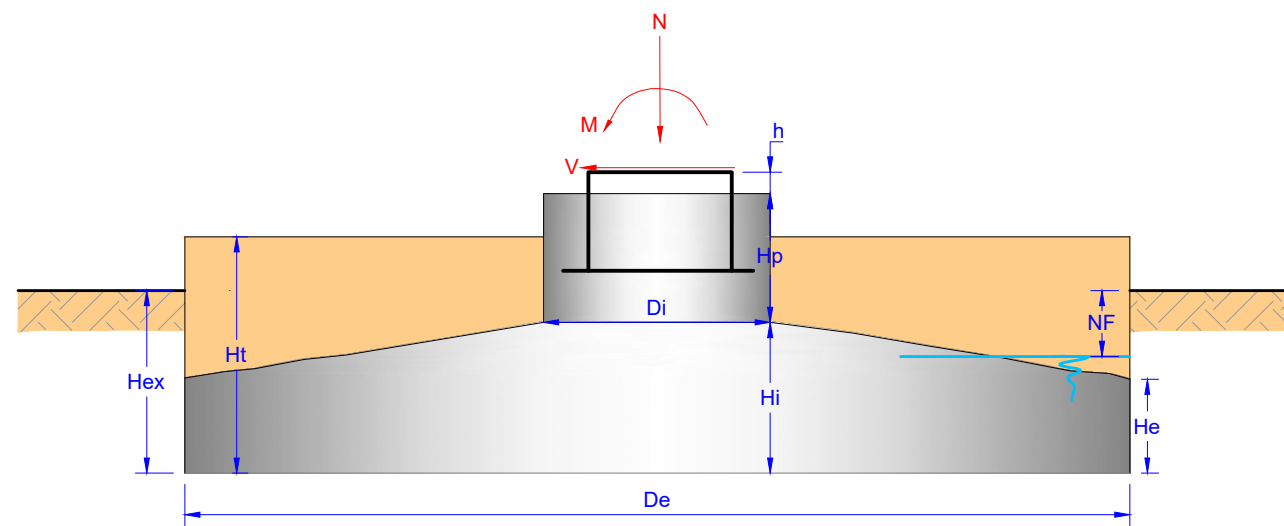
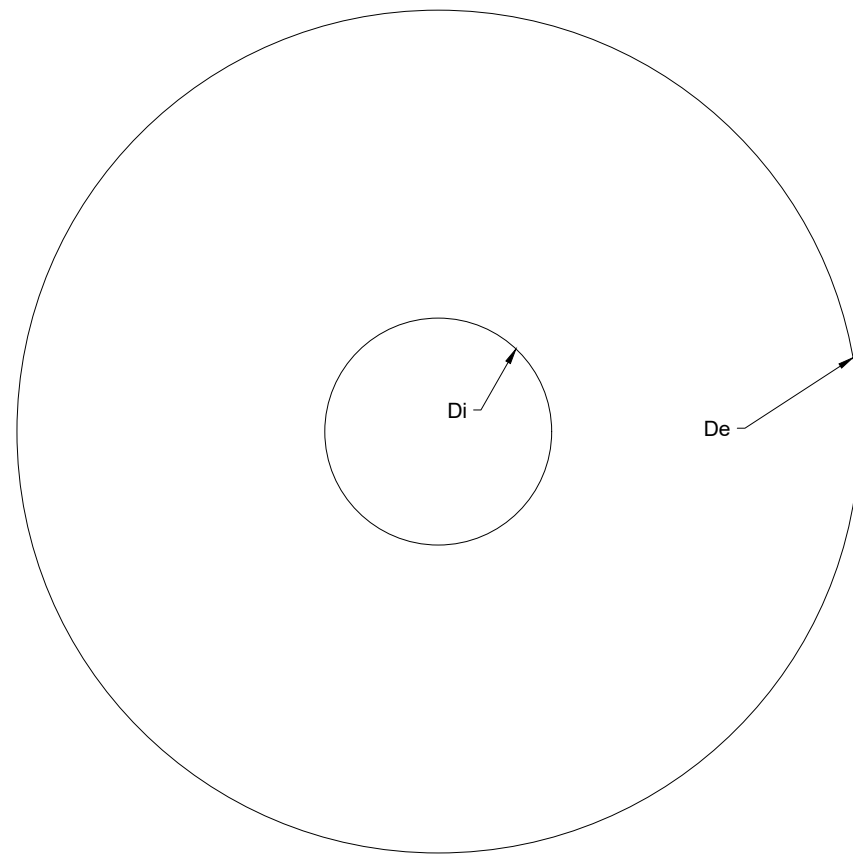


10353.00002.1.6.0 Turbine Foundations.dwg



Diameter (De)	Di	He	Hi	Hex	Ht	Hp	Excavation	Concrete	Compacted Soil	Steel Reinf.
25m	6.0m	0.5m	3.0m + 0.5m 6N Fill	3.0m	3.0m	0.7m	1970m ³	564m ³	1406m ³	62 ton

NOTES

KIRKTON WIND FARM LTD



4/5 LOCHSIDE VIEW
EDINBURGH PARK
EDINBURGH
EH12 9DH
T: +44 (0)131 335 6830
www.slrconsulting.com

KIRKTON ENERGY PARK - EIA
DESCRIPTION OF DEVELOPMENT
INDICATIVE TURBINE FOUNDATIONS

FIGURE 3.5

Scale 1:200 @ A3

Date NOVEMBER 2022